

3 PIN

4 PIN

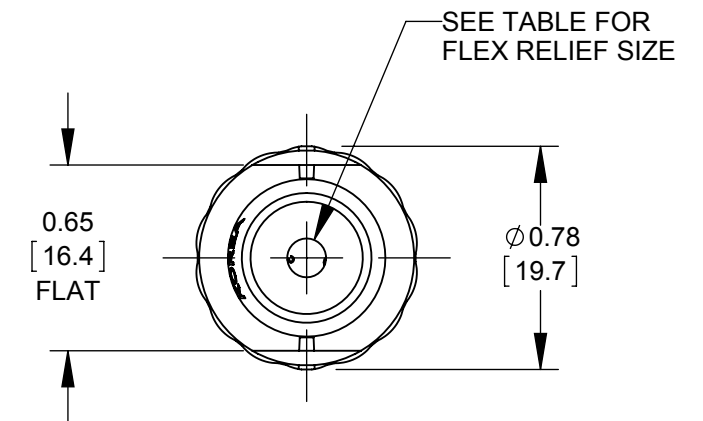
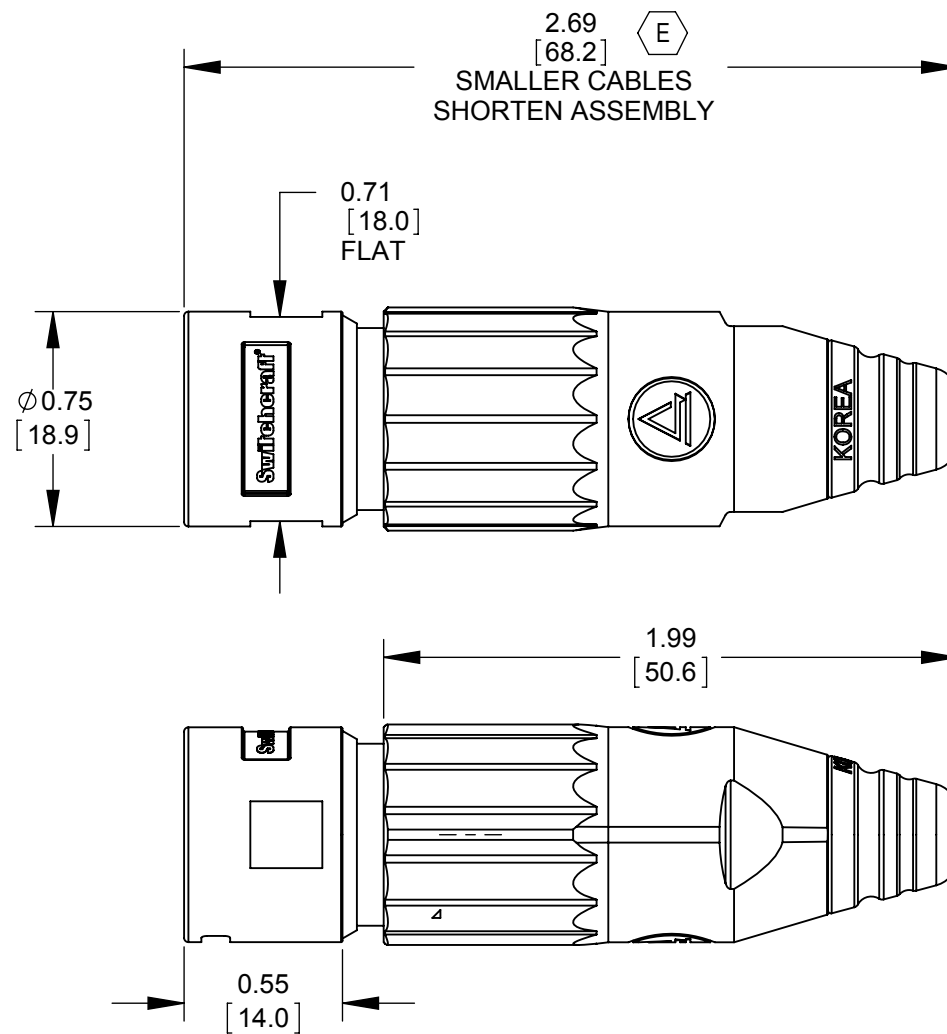
5 PIN

6 PIN

7 PIN

CONTACT PINS AS VIEWED FACING MALE CONNECTOR

| | | | |
|--|-----|---|---|
| SERIES: | AAA | M | Z |
| Q-G° CONNECTOR | | | |
| # OF CONTACT PINS: | | | |
| 3, 4, 5, 6, OR 7 | | | |
| GENDER: | | | |
| M - MALE | | | |
| HANDLE STYLE: | | | |
| BLANK - METAL HANDLE P - PLASTIC HANDLE | | | |
| FINISH: | | | |
| BLANK - NICKEL FINISH & GREEN INSERT B - BLACK FINISH & BLACK INSERT | | | |
| CONTACT PIN PLATING: | | | |
| BLANK - SILVER AU - GOLD | | | |
| FLEX RELIEF STYLE: | | | |
| BLANK - FLEX RELIEF I.D. 0.135 [3.4mm] RECOMMENDED CABLE O.D. 0.100 - 0.220 [2.5mm - 5.6mm] L - FLEX RELIEF I.D. 0.225 [5.7mm] RECOMMENDED CABLE O.D. 0.220 - 0.285 [5.6mm - 7.2mm] | | | |



CUSTOMER DRAWING

NOTES:

- CONNECTORS AND HANDLES ARE SHIPPED SIDE BY SIDE OR IN BULK.
- MATERIALS:
 - E HANDLE METAL - ZINC ALLOY, NICKEL PLATED OR BLACK SATIN CHROME PLATED
 - HANDLE PLASTIC - THERMOPLASTIC, BLACK
 - CABLE CLAMP AND FLEX RELIEF - THERMOPLASTIC, BLACK
 - HOUSING - ZINC ALLOY, NICKEL PLATED OR BLACK SATIN CHROME PLATED
 - INSULATOR - THERMOPLASTIC, GREEN OR BLACK
 - GROUND TERMINAL - SPECIAL COPPER ALLOY
 - CONTACT PINS - COPPER ALLOY, SILVER PLATED OR GOLD PLATED
- THESE PRODUCTS ARE RoHS COMPLIANT.

| REV | ECO NUMBER | DATE | BY | APVD |
|-----------|------------|----------|-----|------|
| E | 27081 | 01/25/13 | BL | TJK |
| D | 25711 | 10-17-07 | JGK | TJK |
| C | 24940 | 3-11-05 | JL | TJK |
| B | 24552 | 10-13-03 | JL | BRH |
| A | 24446 | 8-12-03 | JL | BRH |
| REVISIONS | | | | |

★ STAR SYMBOL DENOTES CRITICAL DIMENSION

UNLESS OTHERWISE SPECIFIED

- ALL DIMENSIONS IN INCHES
 - TWO PLACE DECIMALS ±0.01
 - THREE PLACE DECIMALS ±0.005
 - ANGLES ±1°
 - ALL DIA. CONCENTRIC WITHIN 0.005 T.I.R.
- FEATURES ON THE SAME CENTERLINE MUST BE ALIGNED WITHIN ±0.002
- REMOVE ALL BURRS

DO NOT SCALE DRAWING

| | | | | | | | | | |
|--|-------|------|-------|---------------------------------|----------|--|-----|--|--|
| THIS DRAWING DESCRIBES A DESIGN CONSIDERED PROPRIETARY IN NATURE, DEVELOPED AND MANUFACTURED BY SWITCHCRAFT INC. AND IS RELEASED ON A CONFIDENTIAL BASIS FOR IDENTIFICATION PURPOSES ONLY. | | | | | | | | | |
| SIZE | WIDTH | MULT | LBS/M | TEMPER | | | | | |
| FINISH | | | | | MATERIAL | | | | |
| SPEC No. | | | | | SPEC No. | | | | |
| FIRST USED ON | | | | SCALE 1.5:1 | | | | | |
| DATE DRAWN | BY | CHKD | APVD | Switchcraft [®] | | | | | |
| 03-10-03 | BRH | BRH | BRH | | | | | | |
| | | | | SHEET 1 OF 1 | | | | | |
| NAME | | | | PART No. | | | REV | | |
| MALE XLR CONNECTOR, RoHS | | | | AAA_MZ SERIES | | | E | | |

SolidWorks CAD File B